

Online technical dictionary

www.ARABTERM.org

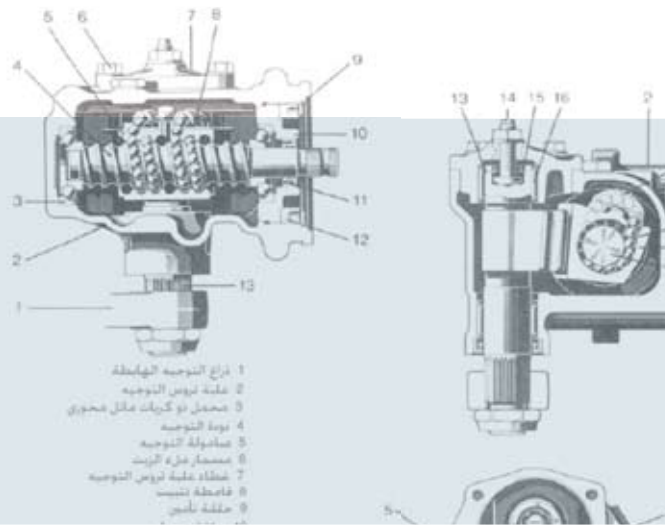
ARABTERM is an online technical dictionary proposing a quadrilingual terminological base, revised and updated on a regular basis and accessible for free on www.arabterm.org.

The dictionary offers more than **37 000** scientific concepts in **Arabic, German, English** and **French** on the following domains:

- **Climate, Environment, and Solid Waste Management**
- **Renewable Energies**
- **Electrical Engineering**
- **Civil Engineering**
- **Textile Industries**
- **Automotive Engineering**
- **Water Technology**
- **Information Technology**
- **Transport and Infrastructure.**

In addition to **German, English & French** glossaries, ARABTERM offers **equivalents in Arabic with illustrated definitions.**

Furthermore, the website makes available for its users a trilingual database containing more than **125 000** term entries on various domains, namely: **Exact & Natural Sciences, Social Sciences, Applied Sciences,** and others.



www.arabterm.org



Regional project
Arab-German technical dictionary, ARABTERM

Deutsche Gesellschaft
für Internationale
Zusammenarbeit (GIZ) GmbH

ALECSO
Bureau de Coordination
d'Arabisation (BCA)

GIZ/BCA Bureau
82, rue Oued Ziz, P. Box 290 Rabat-Agdal, Morocco
www.arabterm.org Tel. : +212 537 77 24 22
info@arabterm.org Fax : +212 537 77 24 26

Arab-German project

arabterm
Technical Dictionary

In collaboration with (2010-2016):



With the financial support, for Renewable Energies and Water, of:



The OPEC Fund for International Development
Uniting against Poverty

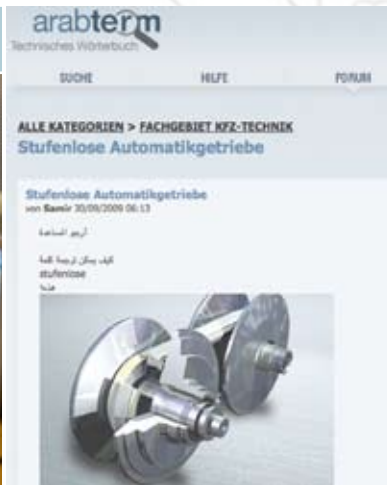
Photos: ©GIZ, Ralf Bäcker/version (2)
Design: WARENFORM



Implemented by:
giz Deutsche Gesellschaft
für Internationale
Zusammenarbeit (GIZ) GmbH



About the project



The online technical dictionary is a joint project of the Arab League Educational, Cultural and Scientific Organization (**ALECSO**) and the German Federal Ministry for Economic Cooperation and Development (**BMZ**).

It is being developed as part of a regional project financed by BMZ that the Deutsche Gesellschaft für Internationale Zusammenarbeit (**GIZ**) has been carrying out since 2008. ARABTERM is executed in collaboration with the Bureau of Coordination of Arabization in Rabat, in accordance with the Bureau's methodology in the normalization and unification of Arabic terminology.

ARABTERM-related efforts require the approval by ALECSO's regular Arabization Congress, bringing together language academies and education ministries from Arab League Member States, similar to ALECSO's own "standardized dictionaries".

Organized by industry sector, ARABTERM technical dictionary is intended to be a generally accessible reference for the consistent translation of textbooks, curricula, technical manuals and other specialized texts.

The user base accounts for more than **200 000** permanent users. www.arabterm.org website is also available in a mobile version (mobile app).

The website offers an **interactive discussion** forum that allows to exchange ideas and experiences on technical issues with other users.

Numerous renowned institutions have been involved in the establishment of this dictionary:

Arab Countries Water Utilities Association (ACWUA), Regional Center for Renewable Energy and Energy Efficiency (RCREEE), German Cultural Centre (Goethe-Institut), United Nations Economic and Social Commission for West Asia (UN-ESCWA), Arab Industrial Development and Mining Organization (AIDMO/AOIDM), Islamic Educational, Scientific and Cultural Organization (ISESCO), and others.

ARABTERM aims at being referenced in major international terminological databases: InterActive Terminology for Europe (IATE), UN-Term, and NEXUS Climate Tagger.

An exchange model in TBX format is available for that matter.

www.arabterm.org